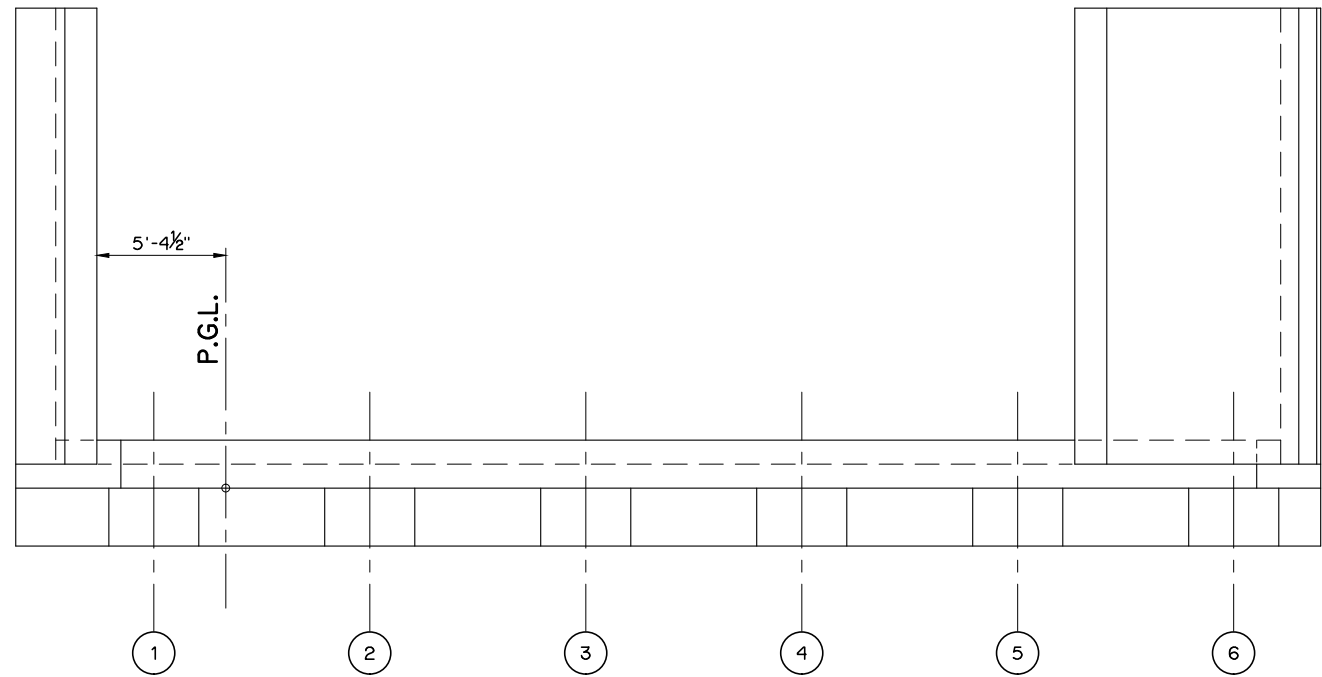
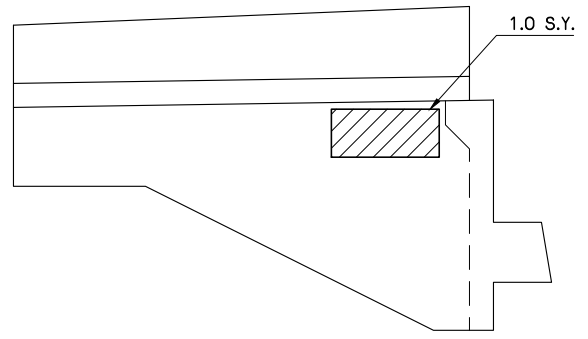


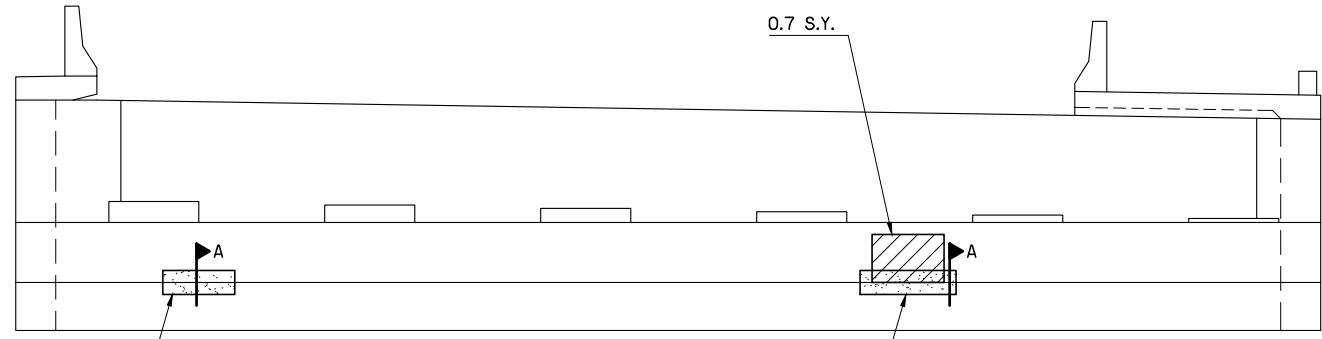
REVISIONS		
REV. NO.	DESCRIPTION	DATE



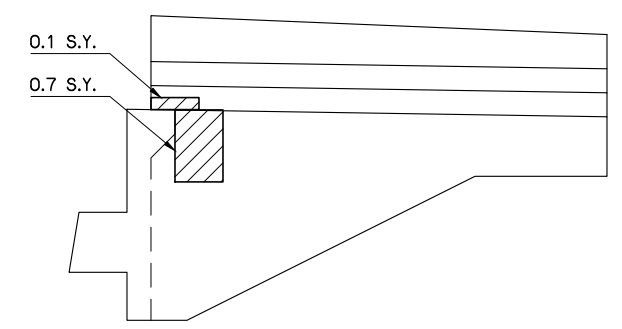
**PLAN**



**WEST WING**



**ELEVATION  
ABUTMENT NO. 2**



**EAST WING**

- LEGEND**
- CLSM BACKFILL
  - PREPARATION OF CRACKS (ABOVE WATER)
  - REPAIR BRIDGE ITEMS

NOTE:  
FOR SECTION A,  
SEE SHEET NO. 11.

ABUTMENT REPAIR QUANTITIES (NOT PHASED)				
ITEM	UNIT	ABUTMENT NO. 1	ABUTMENT NO. 2	TOTAL
CLSM BACKFILL	C.Y.	2	1	3
WATER REPELLENT (VISUALLY INSPECTED)	S.Y.	37	37	74
PREPARATION OF CRACKS (ABOVE WATER)	L.F.	24		24
EPOXY RESIN (ABOVE WATER)	GAL.	2		2
REPAIR BRIDGE ITEMS	S.Y.	3.5	2.5	6.0

I:\Active\1626\Drawings\12 Abutment Repair 2 of 2.dwg, 6/12/2017 11:09:57 AM, Fred

SH 51 NB OVER ARKANSAS RIVER		TULSA COUNTY		Design	ADT
<b>ABUTMENT REPAIR DETAILS</b> SHEET 2 OF 2				Detail	FEZ
				Check	ADT
				WHITE ENGINEERING ASSOCIATES	
<b>STATE OF OKLAHOMA</b>		DEPARTMENT OF TRANSPORTATION		JOB PIECE NO. 31358(04)	
				SHEET NO. 12	